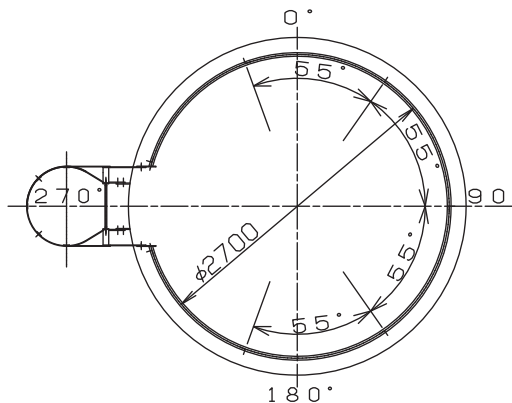
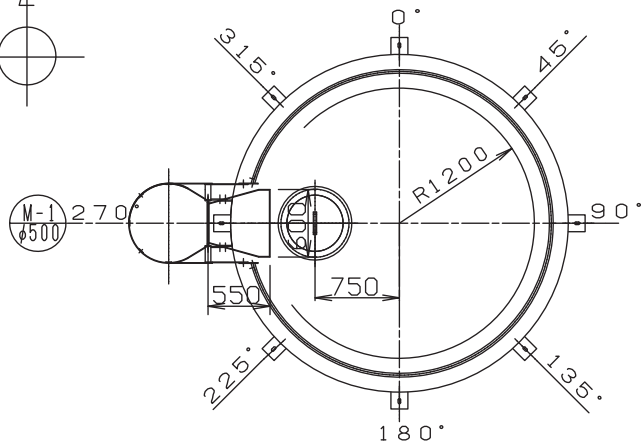
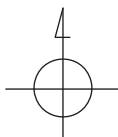


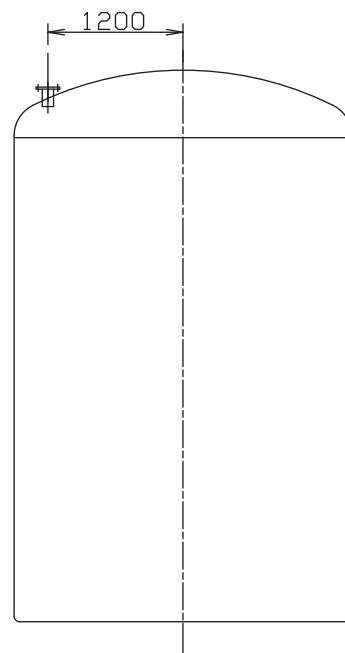
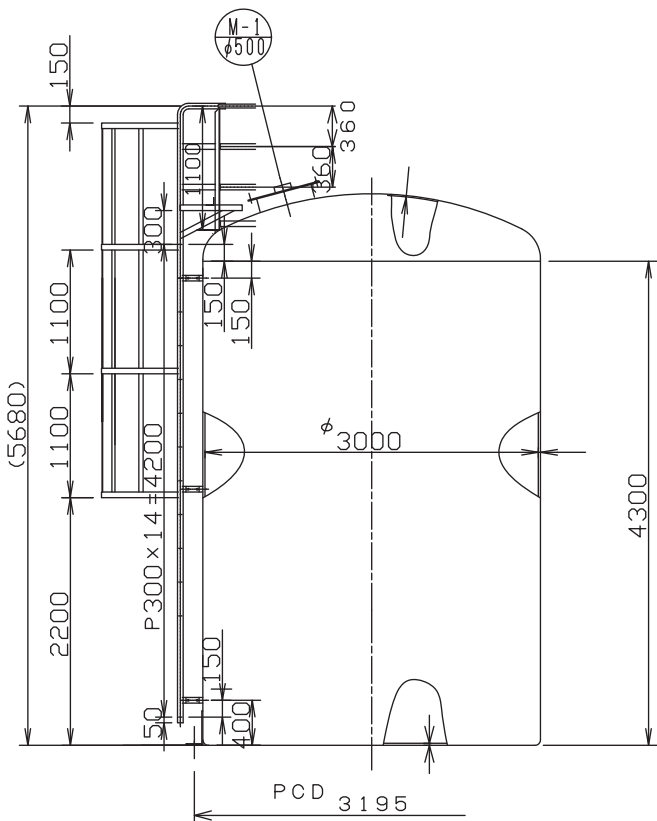
PN



No.	DATE	MARK	REVISION	DES' DBY

NOZZLES				
No.	NAME	SIZE	TYPE	NOTE
N-1				
N-2				
N-3				
N-4				
N-5				
N-6				
N-7				
N-8				
N-9				
N-10				
M-1	MAN WAY	φ500		

SPECIFICATION	
NAME	
SIZE	φ 3000 x H 4300
CAPACITY	30 m ³
MATERIAL	FRP



DESIGN CONDITION	
CHEMICAL	
DENSITY	
SPECIFIC GRAVITY	
DESIGN TEMP.	
DESIGN PRESS.	

NOTE

1. NOZZLE PROJECTION WITHOUT SHOWING MEASURE TANK ALL 100mm
2. B. N. W. SUS304
3. GASKET: E. P. I
4. VESSEL INSIDE: DISPOSE OF NO. OIL

FOR			
CUSTOMER			
TITLE 30m ³ of a standard			
DATE	SCALE	CHECKED BY	DRAWN BY
	1/50		
DWG. NO.	NO. REQD		
CBSTE30	1		



CHUOH BOSHOKU KOGYO CO.,LTD