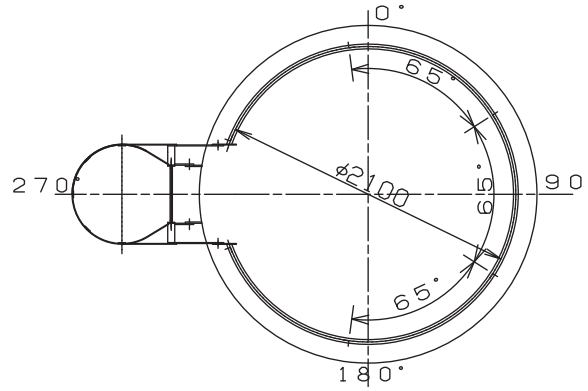
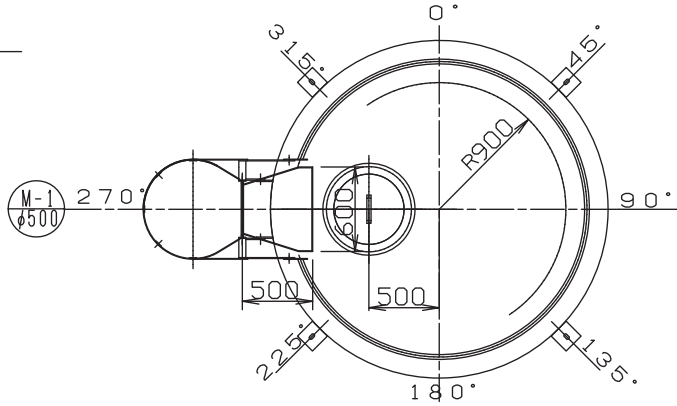
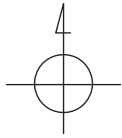


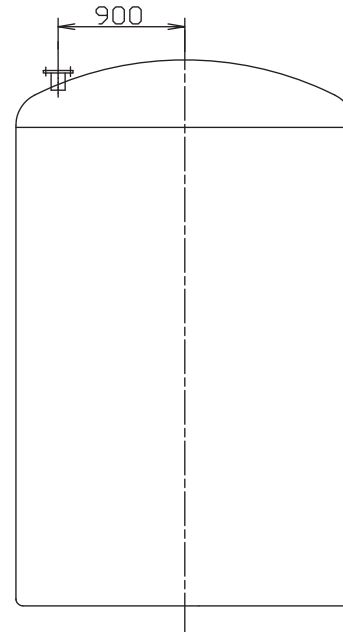
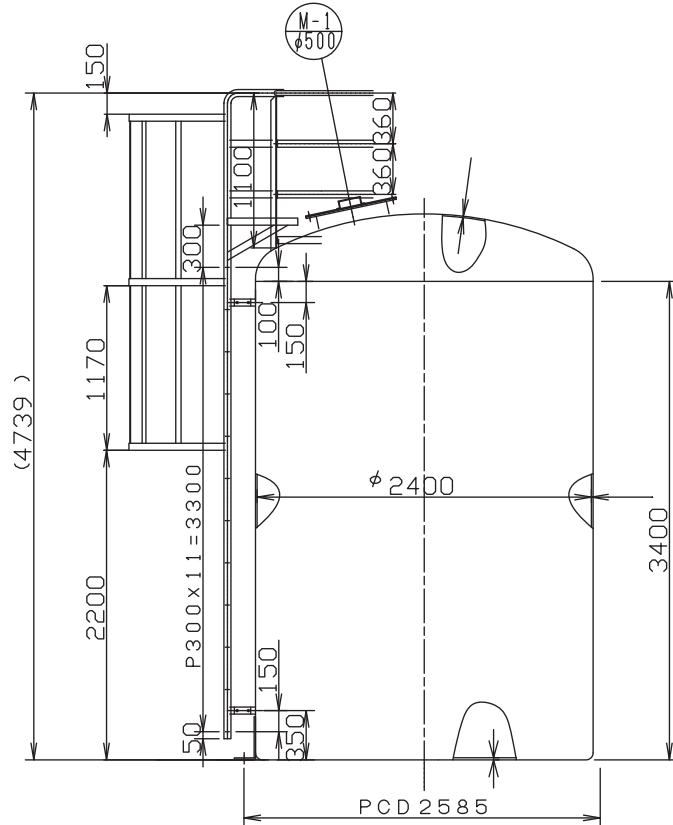
PN



No.	DATE	MARK	REVISION	DES' DBY

NOZZLES				
No.	NAME	SIZE	TYPE	NOTE
N-1				
N-2				
N-3				
N-4				
N-5				
N-6				
N-7				
N-8				
N-9				
N-10				
M-1	MAN WAY	φ500	—	

SPECIFICATION	
NAME	
SIZE	φ 2400 x H 3400
CAPACITY	15 m ³
MATERIAL	FRP



DESIGN CONDITION	
CHEMICAL	
DENSITY	
SPECIFIC GRAVITY	
DESIGN TEMP.	
DESIGN PRESS.	

NOTE

- 1. NOZZLE PROJECTION WITHOUT SHOWING MEASURE TANK ALL 100mm
- 2. B. N. W. SUS304
- 3. GASKET: E. P. J
- 4. VESSEL INSIDE: DISPOSE OF NO. OIL

FOR			
CUSTOMER			
TITLE	15m ³ of a standard		
DATE	SCALE	CHECKED BY	DRAWN BY
	1/40		
DWG. NO.	NO. REQD		
CBSTE15	1		



CHUO BOSHOKU KOGYO CO., LTD